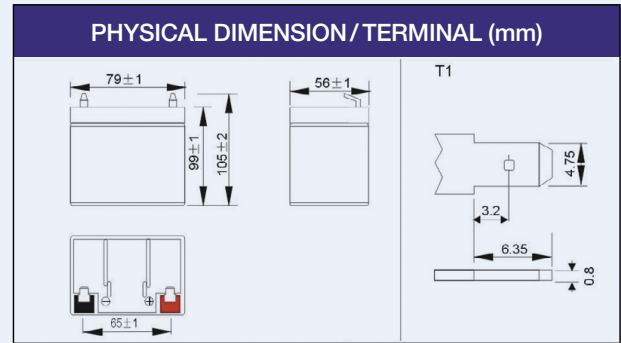
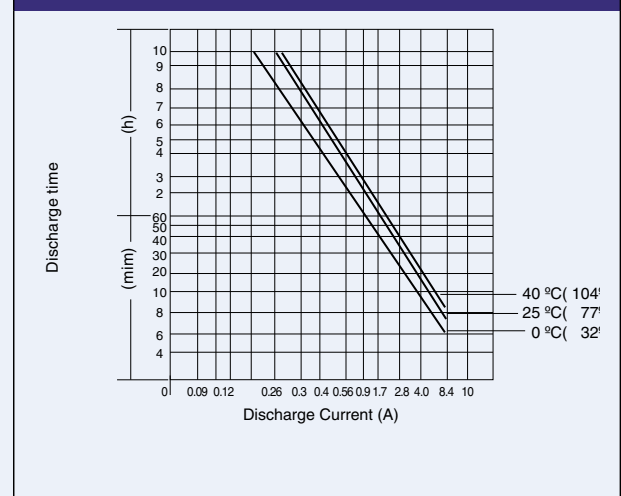


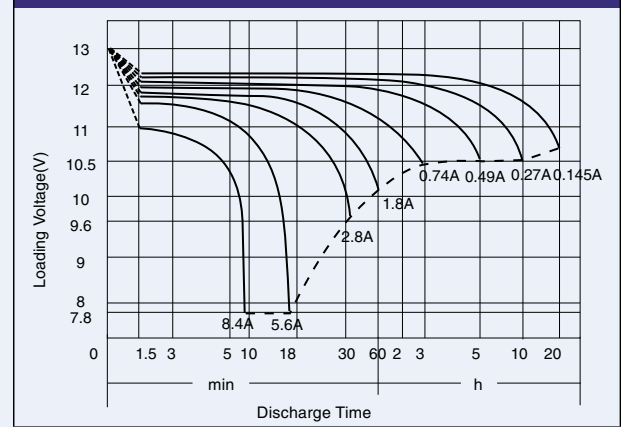
PS1229 Specifications



DISCHARGING CURRENT & DISCHARGE DURATION TIME



DISCHARGE CHARACTERISTICS (25°C, 77°F)



PHYSICAL SPECIFICATION

Nominal Voltage		12V
Nominal Capacity (20HR)		2.9AH
Dimension	Length	79 ± 1mm (3.11 inches)
	Width	56 ± 1mm (2.20 inches)
	Container Height	99 ± 1mm (3.90 inches)
	Total Height (with Terminal)	105 ± 1mm (4.13 inches)
Weight		Approx 1.10kg (2.43lbs)
Terminal Type		T1

ELECTRICAL SPECIFICATION

Rated Capacity	20 hour rate (145mA)	2.90AH	Constant-Voltage Charge	Cycle	Initial Charging Current less than 0.87A. Voltage 14.4V~15.0V at 25°C (77°F) Temp. Coefficient -30mV/°C
	10 hour rate (270mA)	2.70AH			
	5 hour rate (494mA)	2.47AH			
	1 hour rate (1.80A)	1.80AH			
	15minute rate (5.68A)	1.42AH			
Capacity affected by Temperature	40°C (104°F)	103%	Standby	No limit on Initial Charging Current Voltage 13.5V~13.8V at 25°C (77°F) Temp. Coefficient -20mV/°C	
	25°C (77°F)	100%			
	0°C (32°F)	86%			

CONSTANT CURRENT (AMP) AND CONSTANT POWER (WATT) DISCHARGE TABLE 7°F

Amp/Watt/Cell	Time (minute)	5	10	15	20	30	45	60	120	180	300	600	1200
	Final voltage/Cell	1.3	1.3	1.3	1.3	1.6	1.6	1.67	1.7	1.75	1.75	1.75	1.8
A		11.60	8.27	5.68	4.64	3.34	2.32	1.80	1.02	0.74	0.49	0.27	0.145
W		20.76	15.45	10.82	9.08	6.55	4.61	3.57	2.02	1.47	0.99	0.52	0.29

Trade Enquiries 1300 362 287
www.centurybatteries.com.au

