

## C105 AGM (6V/225Ah)

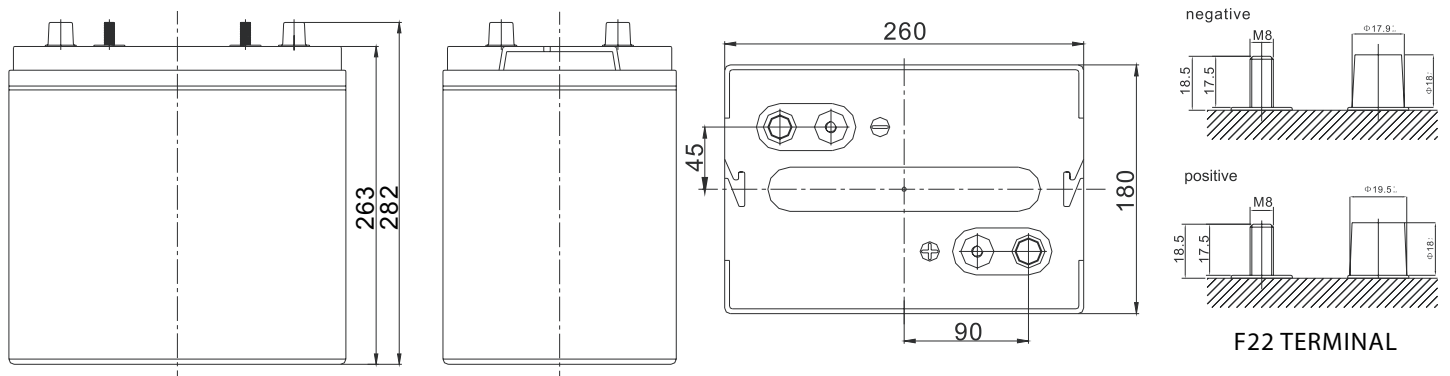


The Century C105 AGM Deep Cycle Industrial battery is a 6V AGM maintenance free battery, designed with commercial and industrial applications in mind. Featuring thicker, heavier battery plates, heavy duty internal connections, and a high-density shock resistant construction for superior current flow and exceptional vibration resistance. Designed for strength and durability needed to provide tough, ultimate, long-lasting power in industrial applications.

Century Deep Cycle batteries are designed and built to last in tough environments whilst delivering long-lasting, dependable power within Marine, RV, Golf Carts and light commercial applications.

Product Specification			
<b>Cells</b>	3	<b>Weight</b>	Approx. 30.5 kg
<b>Voltage</b>	6V	<b>Max. Discharge Current</b>	2250 A (5 sec)
<b>Capacity</b>	225Ah@10hr-rate to 1.80V per cell @25°C	<b>Internal Resistance</b>	Approx. 2.3mΩ
<b>Operating Temperature Range</b>	Discharge: -20°C~60°C Charge: 0°C~50°C Storage: -20°C~60°C	<b>Terminal</b>	Dual Terminal SAE STD + M8
		<b>Container Material</b>	A.B.S. (UL94-HB)
<b>Normal Operating Temperature Range</b>	25°C ± 5°C	<b>Max. Charging Current</b>	67.5A
<b>Float Charging Voltage</b>	6.8~6.9V @ 25°C. Temperature compensation: -3mV/°C/Cell	<b>Cycle Use Voltage</b>	7.3~7.4V @ 25°C. Temperature compensation: -4mV/°C/Cell
<b>Self Discharge</b>	Century AGM batteries can be stored for up to 6 months at 25°C, then recharging is recommended. Monthly self-discharge ratio is less than 3% at 25°C. Please charge batteries before using.	<b>Note: Warranty void if mounted under bonnet</b>	

**Unit:** mm **Dimension:** 260 (L) x 180 (W) x 263 (H) x 282 (TH)

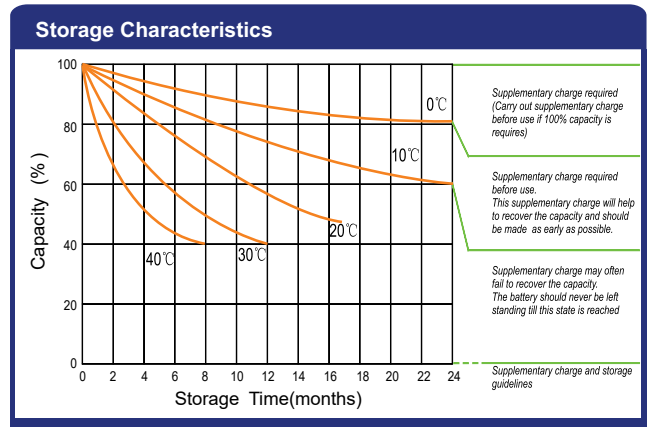
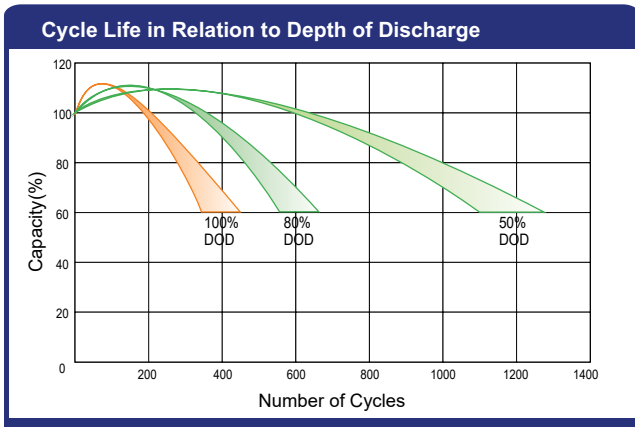
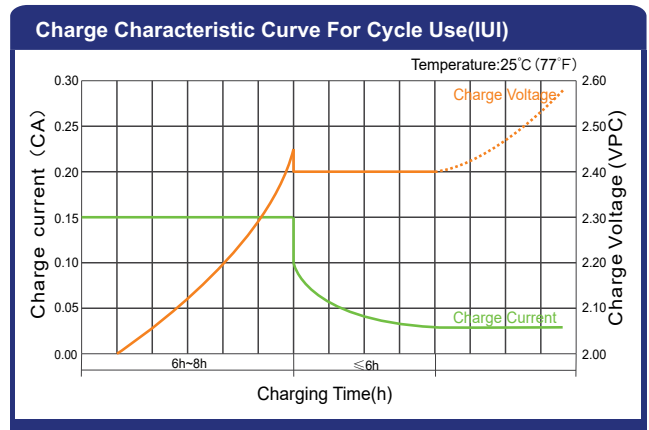
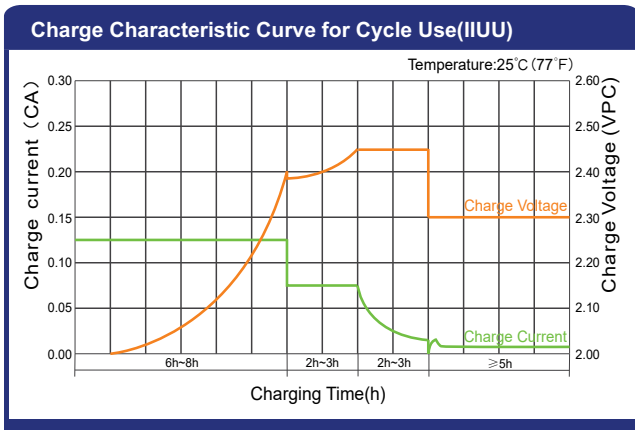


## C105 AGM (6V/225Ah)

### Constant Current Discharge Characteristics: A(25°C)

F.V/Time	15 MIN	30 MIN	1HR	2HR	3HR	4HR	5HR	8HR	10HR	20HR
5.25V	331.2	218.2	125.0	74.1	58.1	46.0	39.3	27.4	22.8	11.9

(Note) The above characteristics data are average values obtained within three charge/discharge cycle not the minimum values.  
 The battery must be fully charged before the capacity test. The C10 should reach 95% after the first cycle and 100% after the third cycle.  
 If F22 terminal is selected and the discharge current is more than 0.25C, the threaded terminal of terminal F22 shall not be used in connection, but the lead pole shall be connected.



## BATTERY DISPOSAL

This battery is 98% recyclable. Help create a cleaner planet, return your used battery to the original place of purchase or your nearest Century Yuasa approved Battery Recycling Centre.