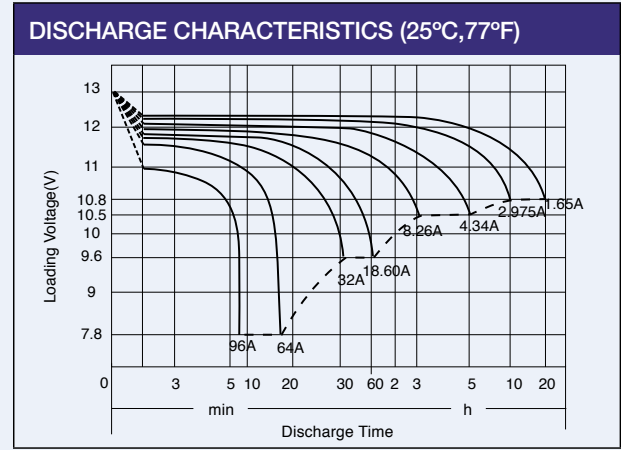
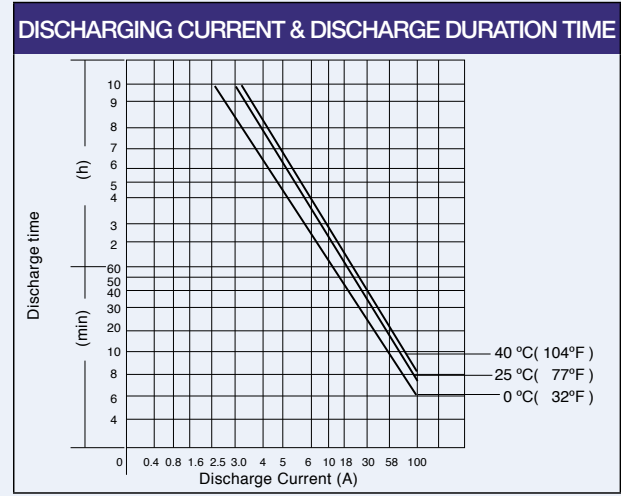
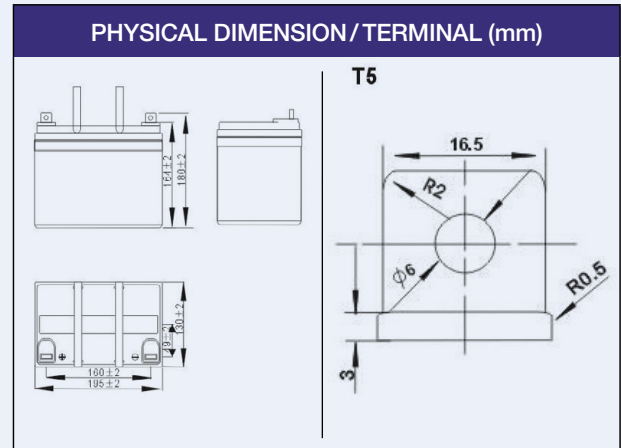


PS12330 Specifications



PHYSICAL SPECIFICATION		
Nominal Voltage		12V
Nominal Capacity (20HR)		33AH
Dimension	Length	195 ± 2mm (7.68 inches)
	Width	130 ± 2mm (5.12 inches)
	Container Height	164 ± 2mm 6.46 inches
	Total Height (with Terminal)	180 ± 2mm (7.09 inches)
Weight		Approx 11.2kg (24.7lbs)
Terminal Type		T5

ELECTRICAL SPECIFICATION					
Rated Capacity	20 hour rate (1.65A)	33.0AH	Constant-Voltage Charge	Cycle	Initial Charging Current less than 9.6A. Voltage 14.4V- 15.0V at 25°C (77°F) Temp. Coefficient -30mV/°C
	10 hour rate (2.975A)	29.75AH			
	5 hour rate (4.34A)	21.7AH			
	1 hour rate (18.60A)	18.60AH			
	15minute rate (58.38A)	14.595AH			
Capacity affected by Temperature	40°C (104°F)	103%	Standby	No limit on Initial Charging Current Voltage 13.5V-13.8V at 25°C (77°F) Temp. Coefficient -20mV/°C	
	25°C (77°F)	100%			
	0°C (32°F)	86%			

CONSTANT CURRENT (AMP) AND CONSTANT POWER (WATT) DISCHARGE TABLE (25°C, 77°F)

Time (minute) / Final voltage	5	10	15	20	30	45	60	120	180	300	600	1200
Amp/Watt/Cell	1.3 / 1.3	1.3 / 1.3	1.3 / 1.3	1.3 / 1.3	1.6 / 1.6	1.6 / 1.6	1.67 / 1.67	1.7 / 1.7	1.75 / 1.75	1.75 / 1.75	1.75 / 1.75	1.8 / 1.8
A	129.4	82.85	58.38	46.85	33.27	23.96	18.60	10.82	8.26	4.34	2.975	1.65
W	219.2	157.61	113.50	95.23	65.74	47.63	35.04	21.65	16.21	10.86	5.95	3.30

Trade Enquiries 1300 362 287
www.centurybatteries.com.au

